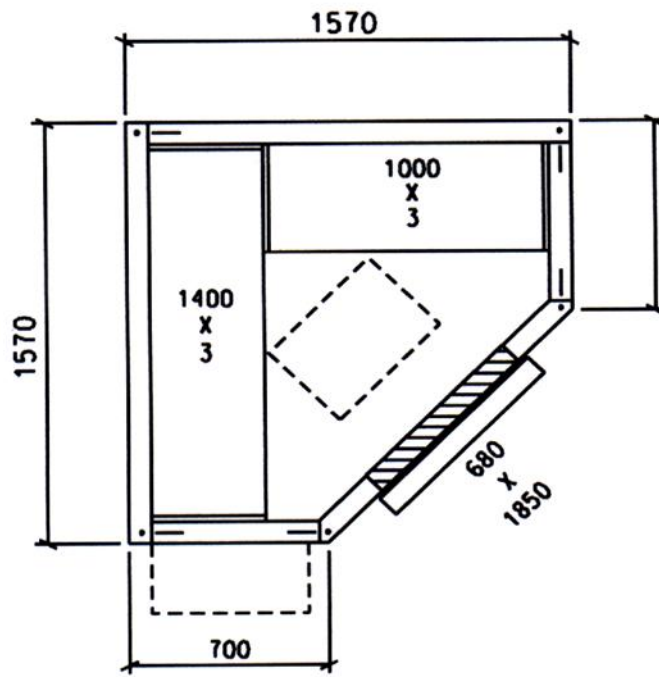


C157



C137

